

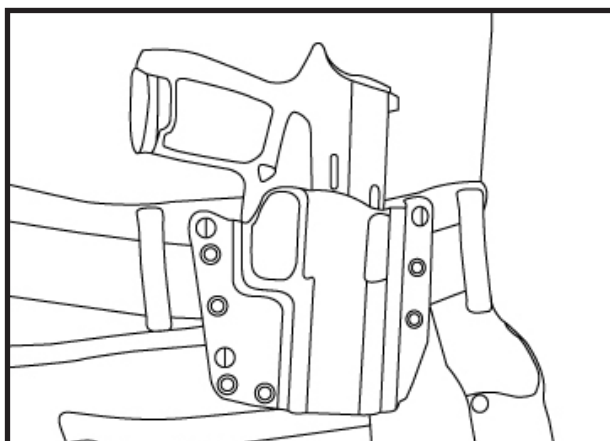
galcoholsters.com



Galco Customer Service can be reached
Toll Free at 800-874-2526
or by Email at:
customerservice@galcoholsters.com

GALCO HOLSTERS

PRODUCT INFORMATION GUIDE KYDEX HOLSTERS & ACCESSORIES



galcoholsters.com
2019 W Quail Avenue Phoenix, AZ 85027

SAFETY SYMBOL DEFINITIONS

⚠ DANGER

Indicates a hazardous situation which, if not avoided, will result in death or serious injury.

⚠ WARNING

Indicates a hazardous situation which, if not avoided, will result in death or serious injury.

⚠ CAUTION

Indicates a hazardous situation which, if not avoided, will result in minor or moderate injury.

NOTICE

Used to address practices unrelated to potential personal injury.



Visit galcoholsters.com/videos to view related safety videos.

IMPORTANT SAFETY WARNINGS AND INSTRUCTIONS READ PRIOR TO USING GALCO PRODUCTS

⚠ DANGER

Firearms users must understand and obey the Rules of Firearm Safety:

1. Treat all firearms as if they are always loaded.
2. Never point a firearm at anything you aren't willing to shoot.
3. Keep your finger off the trigger until you intend to shoot.
4. Be sure of your target and what is behind/beyond it.

⚠ WARNING Failure to heed these warnings or follow the operating instructions may result in negligent discharge of a firearm, causing serious injury or death.

Read and understand all owner's manuals, instructions, and guides prepared by the manufacturer of your firearm prior to use. If you have any questions about correct fit, contact Galco Customer Service at **800-874-2526** or customerservice@galcoholsters.com. You may also visit us at galcoholsters.com where you can use our online fitting guide.

⚠ WARNING Carrying a firearm with an ill-fitting or improper holster can result in serious injury or death. The purchase and use of a Galco holster is at the sole and exclusive risk of the user.

READ AND UNDERSTAND THIS ENTIRE GUIDE PRIOR TO USING THIS PRODUCT

Firearms are inherently dangerous. Improper or careless use of a firearm or firearm and holster may result in serious injury or death. It is the user's responsibility to possess a thorough knowledge of, and be properly trained in, all aspects of firearm use, including holster use and safety.

Carry the firearm in the safe condition recommended by its manufacturer. This information will be contained in the product information manual provided by the firearm manufacturer. If you do not have the manual applicable to the firearm, contact the firearm's manufacturer.

It is the user's responsibility to maintain the holster by regularly checking component parts for excessive wear and proper function.

⚠ CAUTION Always protect an exposed magazine release from accidental activation.

⚠ WARNING When drawing a firearm or engaging it with the holster, DO NOT place your finger on the trigger, in the trigger guard, or near the trigger. Position your finger along the frame of the firearm above the trigger guard. Keep your finger off the trigger until your sights are on target.

Always place your hand on the firearm when you are performing other physically vigorous activities.

Checking tension units each time the holster is used is required as part of your regular safety inspection. Applying a small amount of clear nail polish to the threads of the tension units, after proper adjustment, will help minimize screw loosening.

⚠ WARNING Do not use customized, modified, worn or broken firearms, or those otherwise outside the original manufacturer's specifications, with a Galco holster.

⚠ WARNING Do not in any way modify, disassemble or remove any part from this holster, except as approved and recommended in Galco's Product Information Guide.

⚠ WARNING Do not place a loaded firearm in a holster without first testing - with a firearm double-checked and verified to be unloaded - for proper firearm fit.

⚠ WARNING A significant number of negligent discharges - some resulting in injury or death - occur while holstering a firearm. Most are caused by the user's index finger pressing the trigger. Some are caused because a foreign object becomes entangled or trapped in the trigger guard/holster and presses the trigger. The safest practice is to "look the firearm into the holster". This should be done methodically and without rushing. While holstering, be fully cognizant that:

1. All safeties are engaged.
2. Your index finger is straight along the firearm's frame. DO NOT place your finger on the trigger, in the trigger guard, or near the trigger. Keep your finger off the trigger until your sights are on the target.

3. No articles of clothing (shirt tails, jacket drawstrings, etc.) become trapped in the trigger guard, holster, or between the firearm and holster.

4. Your shooting-hand thumb is placed over the hammer or the rear of the slide. This will enable you to feel if the hammer starts to move rearward or the slide begins to come out of battery.

5. You strictly observe Rule of Firearms Safety #2: never point a firearm at anything you aren't willing to shoot. If you do not know how to holster your firearm without breaking this rule, you should seek training before holstering your firearm while the holster is worn.

6. If for any reason you are unable to "look the firearm into the holster" and not muzzle yourself or others, you should remove the holster from your body, then "look the firearm into the holster" (without breaking Rule #2). After the firearm is securely seated in the holster, attach the holster to your body/clothing in the manner in which it was designed.

7. If you holster your firearm while the holster is off and in your hand, insure you do NOT point the firearm at your support hand. Do not place your support hand (or other body parts) at the bottom of the holster. The holster material is not bullet proof. Neither your support hand, other body parts, nor other people should be muzzled/flagged while holstering.

⚠ WARNING If the firearm is not properly secured by means of friction from the holsters molding or of the retention device(s), it could become dislodged, causing injury and possibly death to the user and others.

⚠ WARNING Never holster a firearm in the single-action mode, unless it is a semi-automatic pistol and holster designed and intended for "cocked and locked" or "Condition One" carry.

⚠ WARNING Always ensure that a single-action pistol carried in "Condition One" has the manual safety engaged when carrying in a holster.

⚠ CAUTION Do not attempt to cock a holstered firearm as this may damage the firearm, the holster, or both and may contribute to a negligent discharge.

INSPECTIONS + MAINTENANCE, ADDITIONAL USER RESPONSIBILITIES

⚠ WARNING It is the user's responsibility to ensure that the Galco product remains serviceable and safe, and able to continue service within its design intent.

NOTICE It is the user's responsibility to inspect the holster before and after each use for signs of excessive wear or loss of retention capability, and appropriate tightness of all hardware.

DO

NOTICE Ensure that all screws are tightened snugly. Applying a small amount of clear nail polish to the threads will minimize screw back out.

Ensure that the holster provides secure gun retention in all circumstances. Tension units are not pre-set at the factory. If a holster has tension units, it is the user's responsibility to ensure they are adjusted to retain the firearm.

Clean as needed progressively by wiping with a soft cloth, soft bristle brush, soft damp cloth, soft damp cloth with mild soap to remove stubborn grime.

Dirt and grit trapped in your holster may harm your firearm's finish. To clean your holster, especially after use in dusty conditions, simply wipe out the interior of the holster using a clean, damp cloth.

DON'T

⚠ WARNING Do not use a loaded firearm in a holster without first testing - with a firearm double-checked and verified to be unloaded - for proper firearm fit.

NOTICE Do not put Galco synthetic or leather products in the washing machine. Do not use any solvents of corrosive chemicals on this product.

Do not use artificial heat to speed up the drying process, i.e. from a hair-dryer, oven, radiator, direct sunlight, etc. Do not leave Galco products on the dashboard of your car in summertime. Do not leave Galco products exposed to direct sunlight or excessive heat for long periods of time.

Do not use LocTite® or threadlock. Outgassing from these adhesive compounds will adversely affect plastic, nylon and rubber parts.

The above care and maintenance instructions cannot substitute for your good common sense. Following our recommended care and maintenance tips will allow you to get the maximum service life from all of your Galco products.

CARRY CONDITION OF THE FIREARM

⚠ WARNING Some single-action revolvers and some semi-automatic pistols must be carried with the hammer or firing pin resting on an empty chamber.

Carrying any firearm with a live cartridge in the chamber immediately in front of the firing pin may cause a negligent discharge. Information regarding the safe carry condition of your firearm will be contained in the product information manual provided by the firearm's manufacturer. If you are unsure of the safe carry condition(s) of your firearm, contact the firearm's manufacturer.

IF ANY DOUBT EXISTS AS TO THE SERVICEABILITY OR SAFETY OF A GALCO PRODUCT, IMMEDIATELY CEASE USING IT!

If you have questions, contact: Galco Customer Service at **800.874.2526** or customerservice@galcoholsters.com

Galco has made every effort to properly label all holsters for the specific firearms they fit. However, firearms manufacturers often make changes to their firearms that affect holster fit. Galco will not be responsible for such changes, nor for typographical or other human errors that may occur. It is the user's responsibility to ensure proper holster fit with actual firearms.

It is important to understand that all products, including firearms, holsters and slings may eventually "wear out" or become unsuitable for the function for which they were designed. Stress and strain placed on a product will vary according to frequency and conditions of use, and therefore it is difficult to indicate a recommended replacement date for this product.

PRODUCT IDENTIFICATION

Galco products are generally identified with a two-part code stamped into the holster body or label affixed to the item.

An alphabetical or alphanumeric prefix identifies the holster model. For example, the FLETCH model's prefix is FL while the Royal Guard's prefix is RG.

The numerical suffix identifies the particular firearm the holster is intended to fit. For example, the 212 suffix indicates a 5" 1911 while the 224 suffix indicates a Glock 17. The letter "B" or "H" at the end of the code indicates color. B is for black, H for havana brown, while no letter generally indicates tan.

Thus, an FL212 (FL + 212 + no letter) will be a tan FLETCH to fit a 5" 1911, while an RG224B (RG + 224 + B) will be a black Royal Guard for a Glock 17.

Codes containing the letter 'R' in the suffix indicate that the holster accommodates most red dot sights. For example, a Paragon IWB for the Glock 19 w/wo Red Dot Sight would be marked PAR226RB.

Holsters intended for Galco's modular shoulder systems display letters and numbers that correspond to guns. A Miami Classic holster intended for a SIG P320, for example, will simply read 820.

The numerical suffix of holsters intended for right-hand or ambidextrous use will end in an even number. The suffix of holsters intended for left-hand use will end in an odd number.

You may use the search field found at our website, galcoholsters.com, to locate a holster fit. Simply enter the model number on the item (FL224B, for example) in the field. Should you have questions regarding the identification of the firearm intended for your Galco product, you may also contact Galco's customer service department at **800.874.2526** (during business hours) or by email at customerservice@galcoholsters.com.

⚠ WARNING Galco products are approved for use with multiple firearms. Care must always be taken to ensure your holster is an appropriate and approved fit for your firearm.

HOLSTER FIT

⚠ WARNING UNLOAD YOUR FIREARM (magazine, chamber, cylinder) before testing holster fit.

Tension units are not pre-set at the factory. You may need to adjust them in order to holster your handgun or magazine for the first time. We recommend that you check your tension screw adjustments before each use.

If the fit is too tight when holstering your firearm the first time don't force it. If you do force the firearm into the holster, it may be very difficult to remove.

REPAIRS

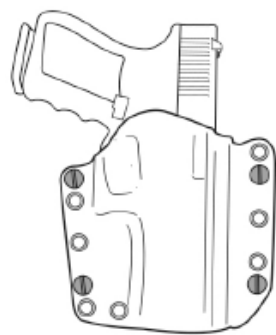
Great care was taken to select the finest materials available to craft your Galco product. It was designed in accordance with the highest engineering standards and hand made using traditional leather craft practices that have become Galco hallmarks over five decades. In the unlikely event a repair is necessary to an unaltered Galco product, simply contact our Customer Service department at **800-874-2526** or customerservice@galcoholsters.com. We will issue you a Return Authorization (RA) number to print on the outside of your shipping container and provide you with detailed shipping instructions.

**THANK YOU FOR YOUR PURCHASE
- WE APPRECIATE IT!**

Galco was one of the early pioneers of the use of Kydex® in the early 1980s. Building on that experience Galco remains on the cutting edge in both design and production of kydex holsters and ammo carries. Kydex is a rugged, rigid thermoplastic with unique features that make it impervious to the elements. Galco molds Kydex products with care to ensure a smooth, high speed, low drag holster that is waterproof, highly scratch resistant, light-weight, and easy to clean. The perfect material for all environments!

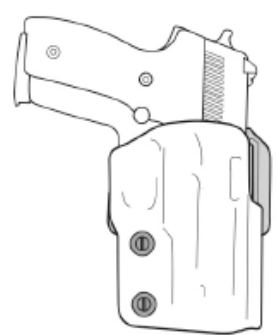
CORVUS OWB/IWB HOLSTER

The Corvus™ comes complete with belt slots in both 1 ½” and 1 ¾” widths, as well as straps for a quick and easy conversion to IWB carry. With an open top for fast draw, adjustment for ride height and cant (in most fits), virtually maintenance free construction, and comfortable forward molding, the highly versatile Corvus is a superior holster choice for defensive or range carry. The raised sweat guard protects the wearers body from the gun and promotes a smooth and safe return to holster. The modern layout is designed to accommodate most carry-style optical sights, while the deep sight rail fits most suppressor-height sights.



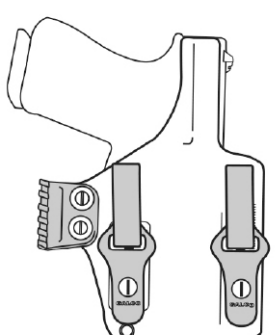
STRYKER BELT HOLSTER

The Stryker™ is very fast on the draw and virtually maintenance free. Twin adjustable tension units allow the user to customize the draw to their unique preferences. The belt slot easily adjusts to fit belts from 1 ¼” to 2”. The neutral cant offers the fastest wrist-locked drawing motion.



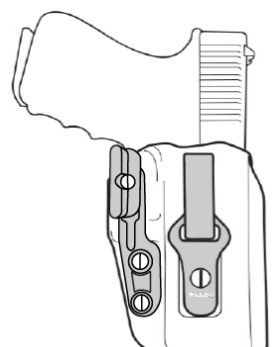
PARAGON IWB HOLSTER

The ambidextrous Paragon™ is ideally suited for the popular appendix mode of carry. Dual tuckable belt clips ride in slots fore and aft of the gun body, allowing adjustment for ride height and carry angle. Twin tension units allow easy adjustment of the draw stroke. Raised sweat guards on both sides of the handgun protect the wearers body from the gun and promote a smooth and safe return to holster. The Paragon comes with Galco’s patent-pending polymer UniClip™ for excellent concealment, stability and easy on-off capability, and functions well with single or dual clips. Galco’s Ultimate Stealth™ clips are available as an optional purchase.



TRITON 2.0/3.0 IWB HOLSTER

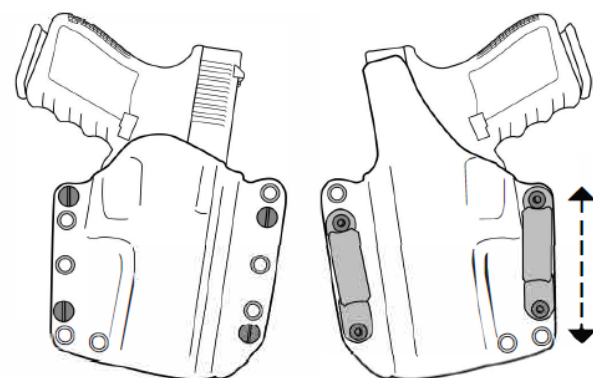
The Triton™ 2.0/3.0 IWB features a raised sweat guard to protect the pistol from corrosive perspiration and provide maximum comfort. Twin adjustable tension units (on most fits) allow for a customized draw and both unique clips enable the user to personalize the angle/cant of the holster. Whether your choice is FBI-forward cant, barrel-forward cant or neutral cant, the Triton allows precise adjustment to your preferred angle of carry. The Triton 2.0/3.0 comes complete with the UniClip and Ultimate Stealth Clip. The Triton 3.0 shown with the stabilizing claw for appendix carry, available in 2021.



CORVUS OWB/IWB HOLSTER

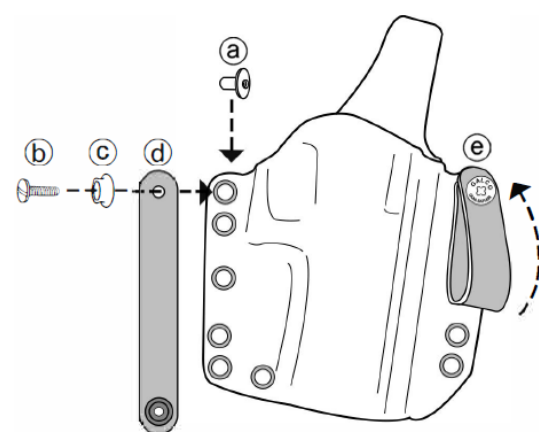
WARNING Corvus holsters designed to accommodate weaponlights should be used ONLY with firearms with attached lights. A firearm without a weaponlight will not be secure in a Corvus designed for weaponlights.

OUTSIDE THE WAISTBAND BELT SLOT INSTALLATION



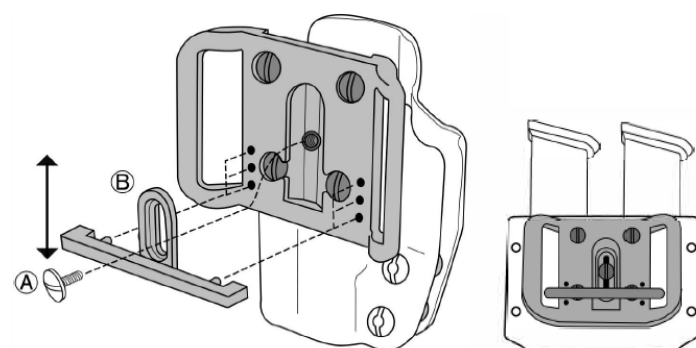
The Corvus is packaged with belt slots in both 1 ½” and 1 ¾” widths. The belt slots can be moved up and down on the holster, on most fits, enabling the user to change both the ride height and cant/angle.

INSIDE THE WAISTBAND BELT LOOP INSTALLATION



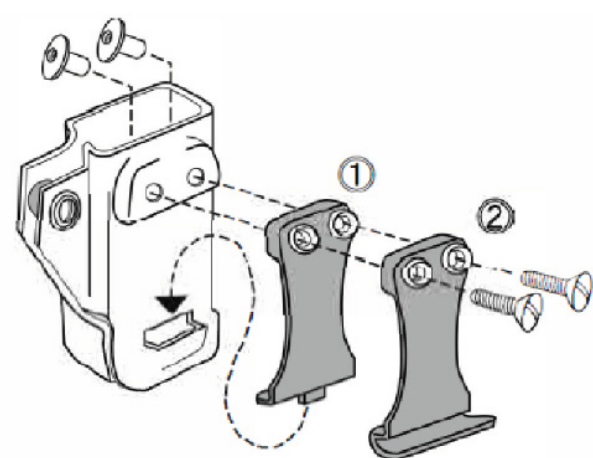
Included belt loops fit belts up to 1 ¾” wide.

STRYKER BELT HOLSTER & KYDEX DOUBLE AMMO MAGAZINE CARRIER ADJUSTING FOR BELT WIDTH



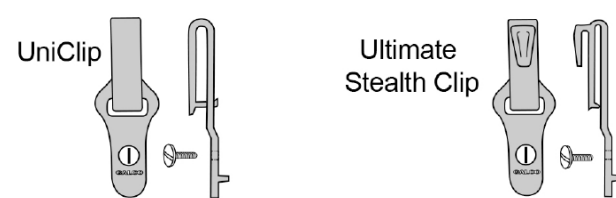
Remove the center screw (A). Move the adjustable belt sizing bar (B) to fit your belt and lock into place by re-tightening the screw. The Stryker and Kydex Double Magazine Carrier both adjust to fit belt widths of 1 ¼”, 1 ½”, 1 ¾”, and 2” with the sizing bar removed. Twin adjustable tension units provides security for the magazine.

KYDEX SINGLE MAG CARRIER BELT LOOP/ BELT CLIP INSTALLATION



The Kydex Single Magazine Carrier is packaged with both a belt slot (1) and a quick on-off belt clip (2), which can be interchanged at the user’s discretion. The magazine is secured through an adjustable tension unit.

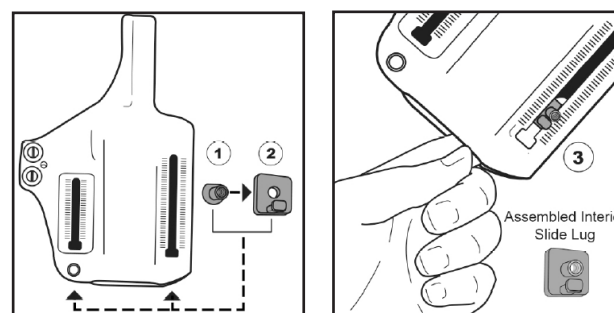
TUCKABLE CLIPS



Galco’s interchangeable tuckable clips offer the ultimate in stealthy concealment. The first is the UniClip™, designed to go over the belt, but which also works well without a belt.

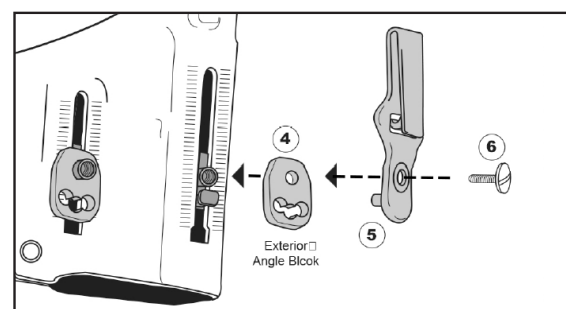
The second option is the Ultimate Stealth™ clip with hook, which can be purchased separately. It fits over the trouser waistband, under/behind a belt with just the top of the clip showing over the top of the belt.

PARAGON IWB HOLSTER CLIP ASSEMBLY/ADJUSTMENT



Insert the threaded post (1) into the back of the Interior Slide Lug (2), be careful to align the straight edge of the threaded post with the straight edge of the recessed dimple.

Insert the assembled Interior Slide Lug inside the holster, using your index finger to push the square tab through the square opening at the bottom of the slot (3) and slide upward slightly. Ride height may be adjusted later.

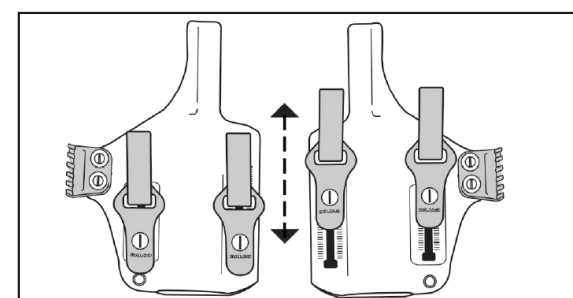


Snap the Exterior Angle Block (4) onto the threaded post of the Interior Slide Lug. Align the square dimple on back of the Exterior Angle Block with the square tab on the Interior Slide Lug.

Insert the stabilizing post on the back of the tuckable clip (5) into one of the three holes on the Exterior Angle Block. Insert the screw (6) loosely and slide the assembled clip to the desired height on the holster slot and tighten the screw.

NOTICE Remove firearm from holster prior to loosening the screw or positioning the tuckable clip to prevent scratching firearm. Ensure screws are snug prior to holstering firearm to avoid scratching firearm.

RIDE HEIGHT & AMBIDEXTROUS USE

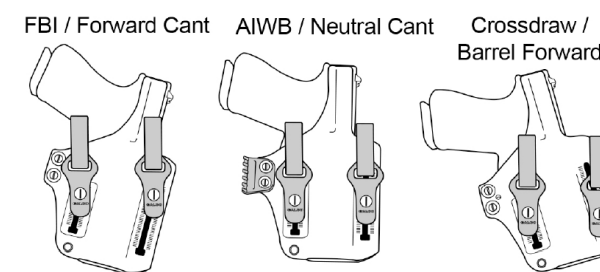


Loosen the screws and slide the assembled clip along the slots to change the ride height of the holster.

Moving the clips and the optional claw/wing to the opposite side of the holster allows the user to adapt the holster for ambidextrous use.

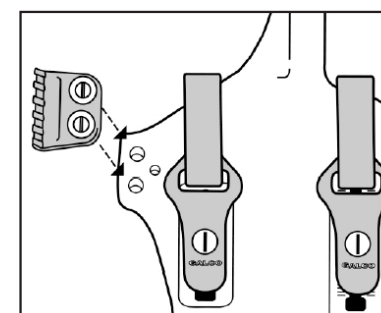
NOTICE Screws should be tightened before holstering firearm to avoid scratching firearm.

ADJUSTING FOR CARRY ANGLE



Changing the position of the stabilizing post on the back of the tuckable clip enables the user to fully adjust the cant/angle and carry position/location.

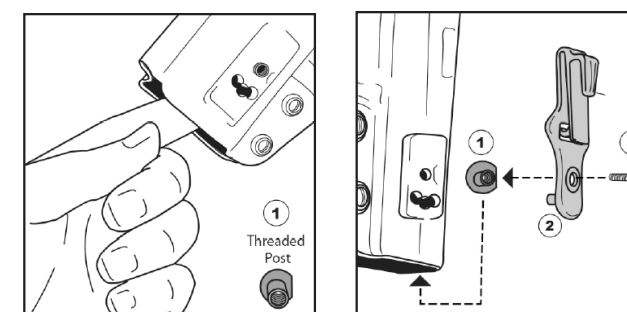
INCLUDED STABILIZING CLAW/WING (Optional Use)



When worn in the appendix position (AIWB), the stabilizing claw/wing helps to push the butt of the gun closer to the body. The claw comes factory installed above the twin adjustable tension units.

When using the Paragon IWB holster without the claw, replace the installed long screws with the included shorter screws and washers. Tighten screws to both secure the stabilizing claw/wing and to adjust the tension units.

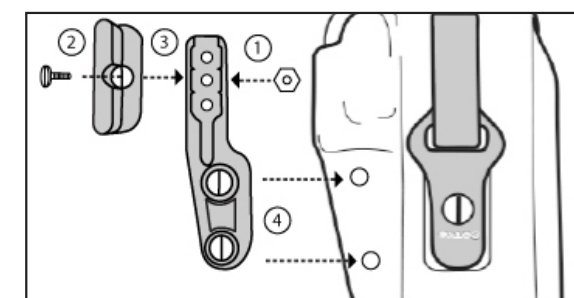
TRITON 2.0/3.0 IWB HOLSTER CLIP ASSEMBLY/ADJUSTMENT



Insert the threaded brass post (1) inside the holster while being careful to align the straight edge of the threaded post with the straight edge of the recessed dimple. Use your finger to hold the threaded brass post in place while installing the tuckable clip.

Insert the stabilizing post on the back of the tuckable clip (2) into one of the three holes on the holster body. Insert the screw (3) and tighten.

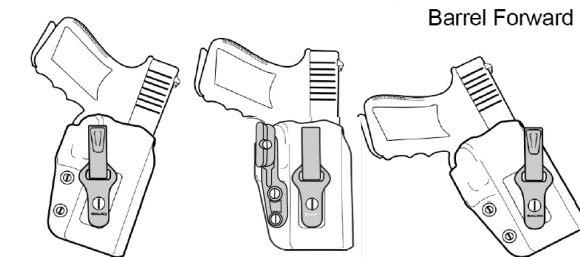
INCLUDED STABILIZING CLAW/WING (Optional Use)



The optional (included) stabilizing claw is easily attached to the Triton 3.0 at the tension units. The claw (3) may be adjusted for height by moving it up or down on the post (4), then locking it into the desired hole using the nut (1) and bolt (2). Adjustments must be made with the post detached from the holster.

ADJUSTING FOR CARRY ANGLE

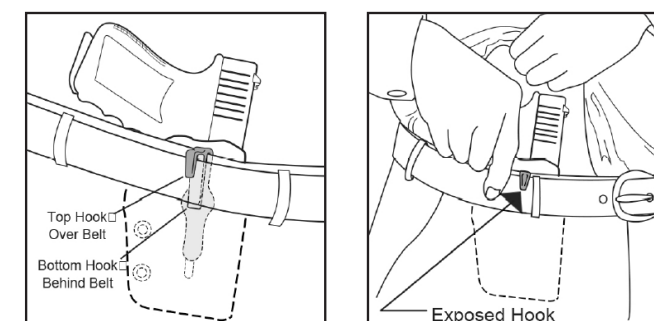
FBI / Forward Cant AIWB / Neutral Cant Crossdraw / Barrel Forward



Changing the position of the stabilizing post on the back of the tuckable clip enables the user to fully adjust the cant/angle and carry position/ location.

NOTICE Remove firearm from holster prior to loosening the screw or positioning the tuckable clip to prevent scratching firearm.

ULTIMATE STEALTH CLIP



To use the Ultimate Stealth Clip start with your shirt tail outside your pants. Put the holster inside your pants with the bottom hook on the outside of your pants and behind your belt. Your belt will cover the arm of the bottom hook, leaving the top hook over the top of the belt.

Tuck/fold your shirt tail between the backside of the tuckable clip and the body of the holster. To draw the handgun, pull your shirt up with one hand, and draw with the other hand.

TERMS OF SALE

Because we have no control over the use of our products, all Galco products are sold as is and “with all faults”. The entire risk as to the quality and performance of the product is with the buyer. Should the product prove defective following its purchase, the buyer and not the manufacturer, distributor, or retailer assumes the entire risk of all the necessary servicing or repairs. Under no circumstances shall Galco be liable for incidental or consequential damages, such as loss of use of property, commercial loss and loss of earnings or profits. The implied warranties of merchantability and fitness for a particular purpose and all other warranties, expressed or implied, are excluded from this transaction and shall not apply to the product sold. The determination of the fitness or the suitability of any product for a specific use is the responsibility of the buyer. The illustrations shown herein are typical as to the finish and application. Due to uncontrollable variances in color saturation, the actual product may differ slightly from that shown on our web site. Galco reserves the right to make changes in product built and/or sold by them at any time without incurring any obligation to make same or similar changes on products previously manufactured and/or sold by them. All Galco products are made in the U.S.A. and produced according to rigid specifications. Prices and models are subject to change without notice. Some states do not allow the exclusion or limitation of implied warranties or liability for incidental or consequential damages, so the above limitations and exclusions may not apply to you. Galco designs, features, and model names are the exclusive property of Galco International. Any and all persons including, but not limited to, individuals, firms and/or corporations are forbidden from imitating, copying or reproducing them in any way.